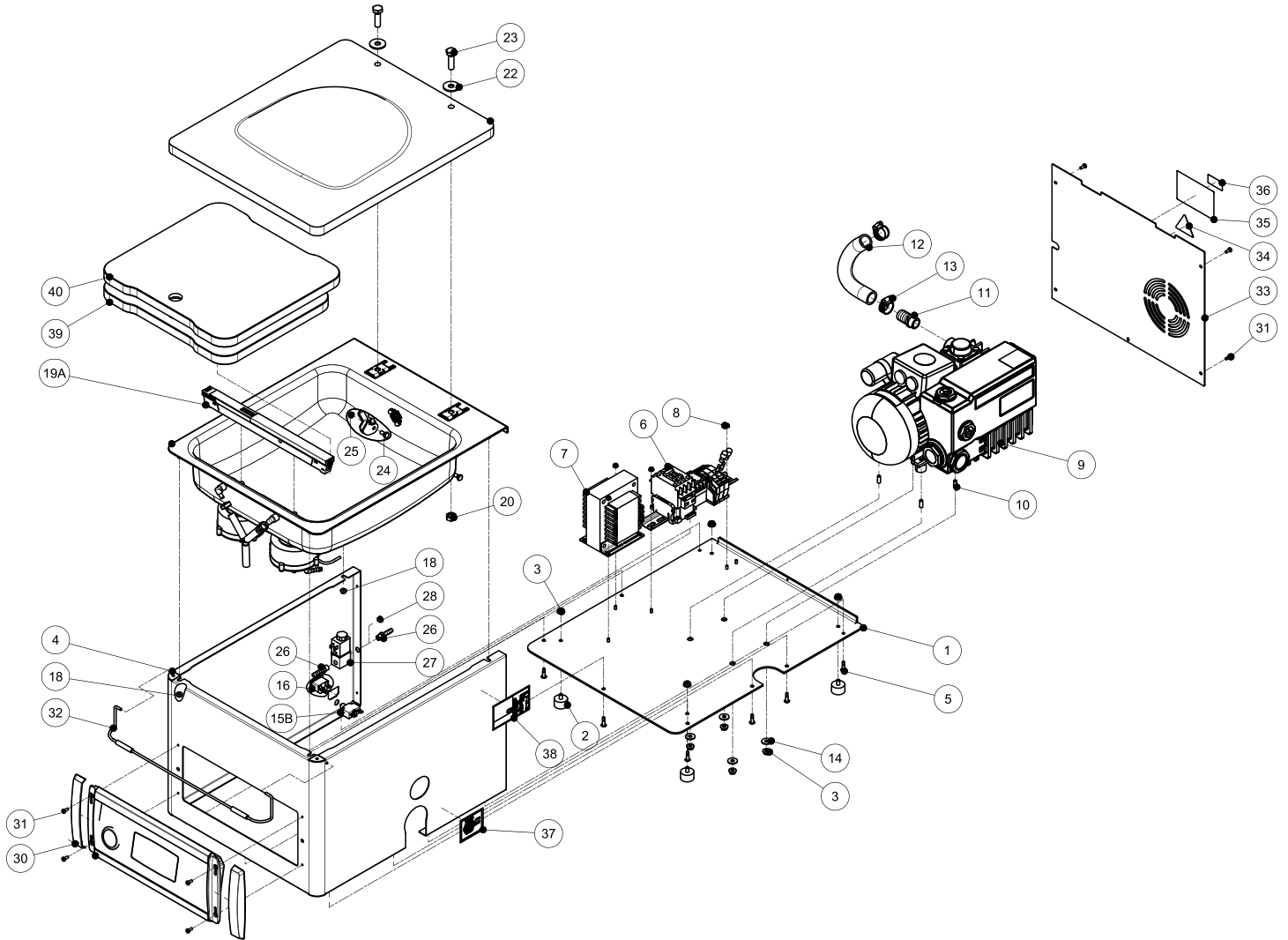


Parts Breakdown

Model VP-NL-3008-SN 59012

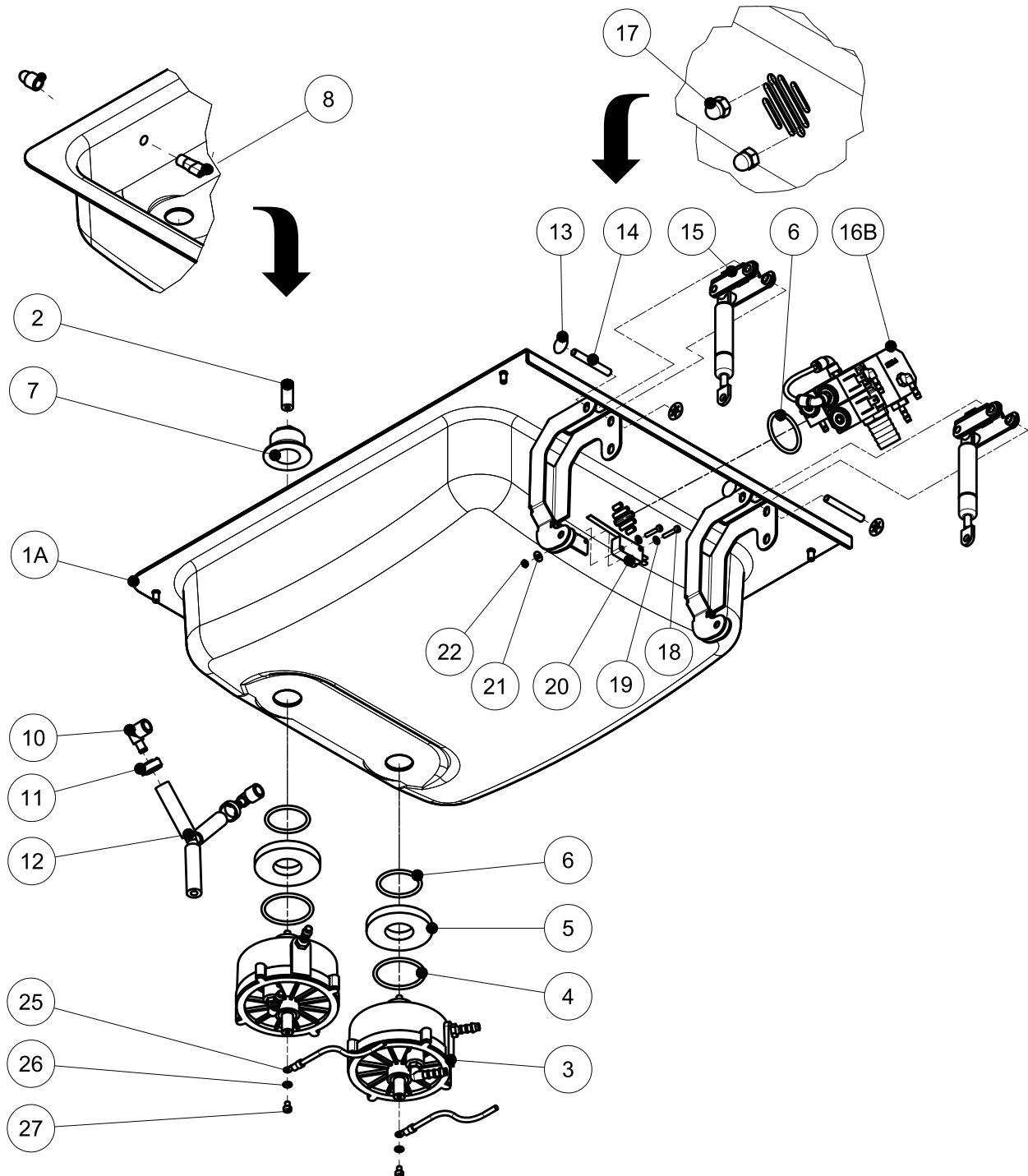
Overall



Parts Breakdown

Model VP-NL-3008-SN 59012

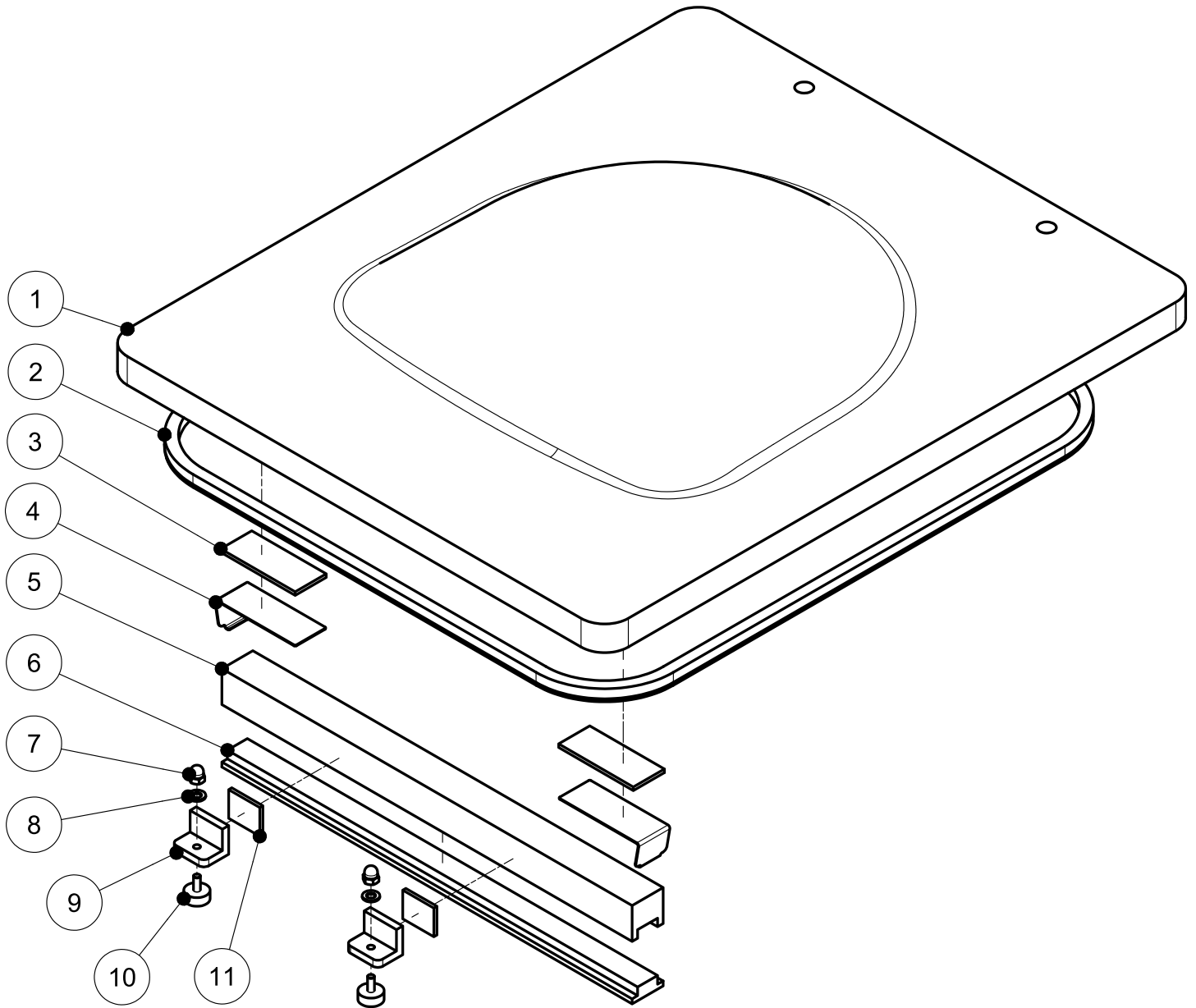
Vacuum Chamber



Parts Breakdown

Model VP-NL-3008-SN 59012

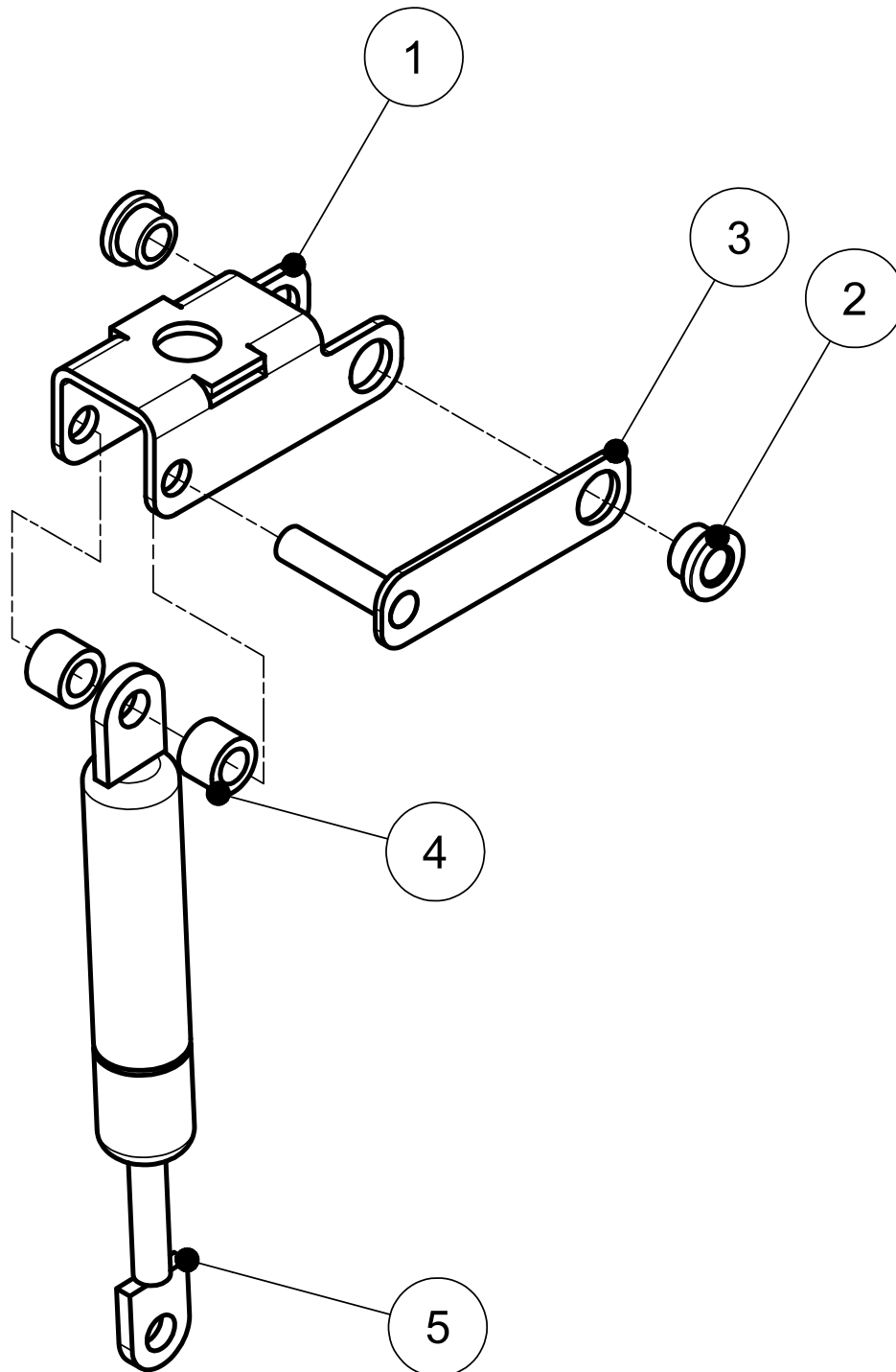
Lid



Parts Breakdown

Model VP-NL-3008-SN 59012

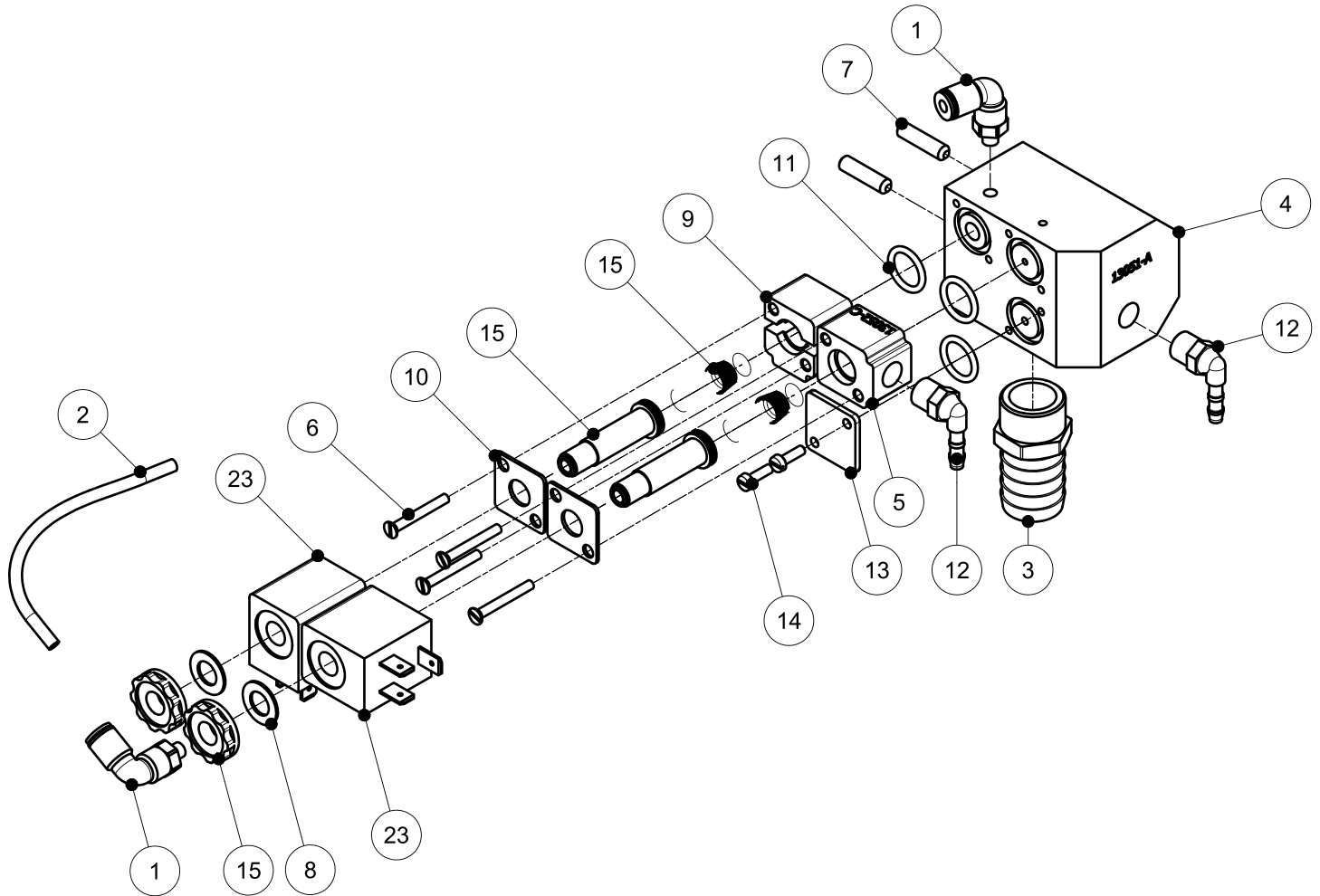
Hinge



Parts Breakdown

Model VP-NL-3008-SN 59012

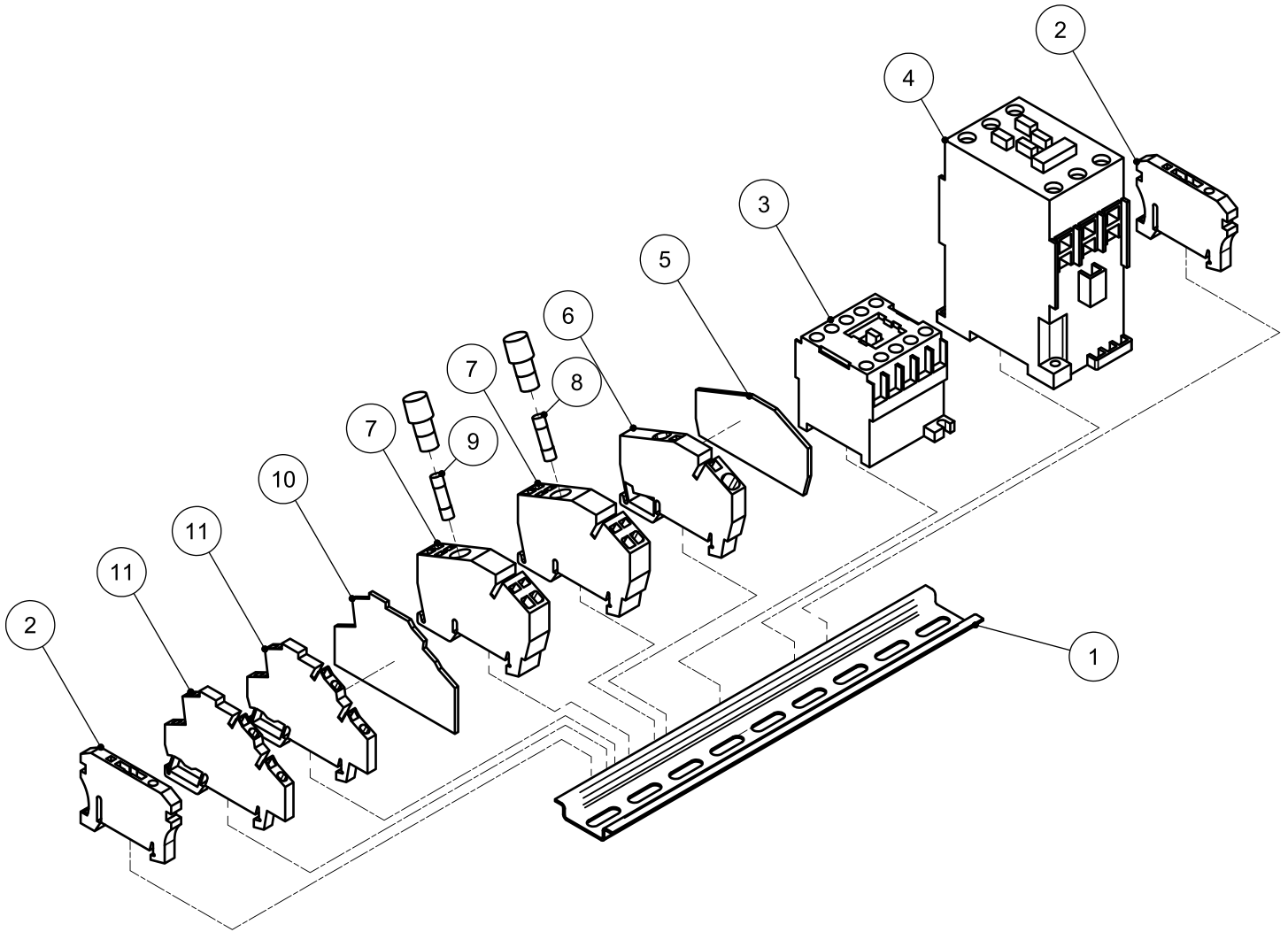
Air Valve



Parts Breakdown

Model *VP-NL-3008-SN* 59012

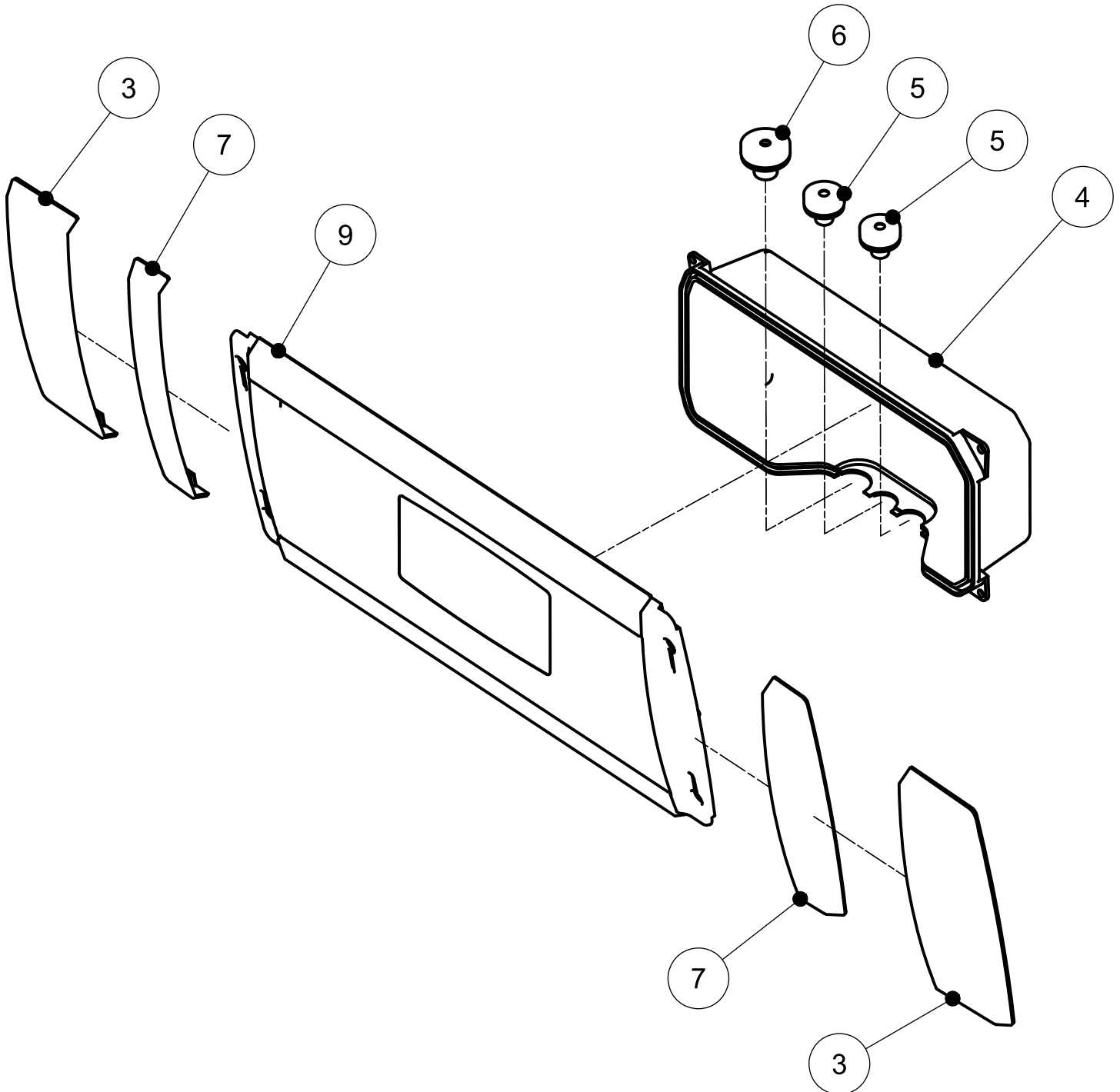
Transformer



Parts Breakdown

Model VP-NL-3008-SN 59012

Control Panel



Parts Breakdown

Model VP-NL-3008-SN 59012

Overall

Item No.	Description	Position	Item No.	Description	Position	Item No.	Description	Position
65833	T3 Bodemplaat for 59012	1	27786	Flat Washer M6 D9021 A2 for 59012	14	35285	Valve 2/2 MA-222-003-P27-SAH 24 for 59012	27
65834	Vibration Absorber D=25 H=17 M6x10 for 59012	2	35216	Thermal Fuse 6A for 59012	15A	65846	Elma AFDEKKNOP 040-3020 ZWART for 59012	28
27781	Hexagon Flangenuit M6 DIN6923 A2 for 59012	3	30022	Thermal Fuse 8A for 59012	15B	65740	Cap Small Holder 04-Control for 59012	30
65835	T3 Omkasting for 59012	4	35074	Thermal Fuse 10A for 59012	15C	27789	Slott.Rais.Counter.Head Screw M4x10 DIN7985 A2 for 59012	31
65836	Hucknagel Magna-Lok MGLP-B6-4 for 59012	5	27791	Net Entree Male Snap-In STF42 for 59012	16	65847	TT-03 Dekselsluiter for 59012	32
65837	Din Rail C 1Fase (1-Program) for 59012	6A	27782	Hexagon Flangenuit M5 DIN6923 A2 for 59012	18	65848	T3 Achtenwand for 59012	33
65838	Din Rail D 1Fase for 59012	6B	65842	Sealbalk DS-3-320 for 59012	19A	27795	Sticker Tension Triangle for 59012	34
15791	Combi-Trafo P100/230V-S16/24V for 59012	7	63995	Sealbalk TS-3-420 for 59012	19B	35224	Sticker 98x65 Yellow for 59012	35
35041	Hose Clip Klemfa 12.8x14.8mm for 59012	8	35978	Hexagon Nut M10 DIN934 A2 for 59012	20	35223	Sticker 19x38 Yellow for 59012	36
A1880	Pomp 016 for 59012	9	27827	Flat Washer M10 D9021 A2 for 59012	22	27796	Sticker Oil for 59012	37
65839	M6x16 Hexagon Socket Set Screw Din 916 for 59012	10	65845	M10x35 Hex-Head Bolt DIN 933 for 59012	23	27794	Sticker Machinetype for 59012	38
65748	Slangpilaar G1-2x19mm BU for 59012	11	30005	Hexagon Screw M6x12 DIN933 A2 for 59012	24	65849	T3 Inlegplaat Onder for 59012	39
65840	T3-16M3 Pompslang for 59012	12	65749	M6 Hex Nut Din 985 for 59012	25	65850	T3 Inlegplaat Boven for 59012	40
27835	Hose Clip ABA 15-24mm for 59012	13	35207	Brass Hose Coupling 1/8x6 Ext. for 59012	26			

Parts Breakdown

Model VP-NL-3008-SN 59012

Vacuum Chamber

Item No.	Description	Position	Item No.	Description	Position	Item No.	Description	Position
AI909	T3 Vacuumbak Gas for 59012	1A	35201	Elbow Brass for Gaspipe for 59012	10	27821	Slotted Cheese Head Screw M3x16 A2 DIN84 for 59012	18
AI910	T3 Vacuumbak for 59012	1B	30019	Hose Clip Klemfa 12.8x14.8mm for 59012	11	27822	Castle Washer M3 for 59012	19
65765	Verlengstuk Sealcilinder 27mm for 59012	2	AI911	Slangenboom Gas Table Top-03 for 59012	12	15775	Micro Switch MV3003L for 59012	20
65764	Sealcylinder 90mm Trough Shaft As-semb. for 59012	3	27810	Spring Ring with Cover 6mm / Shaft Locker with Cover for 59012	13	65772	M3 Washer DIN 9021 for 59012	21
27832	O-Ring 40x3mm for 59012	4	AI912	Scharmieras TT-03 for 59012	14	27823	Hexagon Nut M3 DIN934 A2 for 59012	22
65774	Distance Ring 8mm for Seal Cilinder 90mm for 59012	5	AI893	Scharmierdeel T3 for 59012	15	AI886	Sealsnoer C1-12 for 59012	25
27381	O-Ring 34x3mm for 59012	6	47339	Comb.Valve Model-I LV for 59012	16A	65776	Spring Washer Din 127 - A4 for 59012	26
27799	Plastic Nut M24 for 59012	7	AI913	Combinatieventiel Model-I SA/LV for 59012	16B	27830	Slotted Cheese Head Screw M4x6 A2 DIN84 for 59012	27
65766	Opsteeknippel 1/8"x6mm for 59012	8	35215	Capnut High M5 D1587 A2 for 59012	17			

Lid

Item No.	Description	Position	Item No.	Description	Position	Item No.	Description	Position
AI914	T3 Vacuumbakdekseel for 59012	1	AI915	Siliconenhouder T3 for 59012	5	15761	Support Vibr.Absor Vac-Bag-Holder for 59012	9
35105	Sil.Profile Lidgasket 8mm 60 SH/25MTR for 59012	2	15842	Silicone T-Profiel 40 Shore One Meter for 59012	6	15852	Vibratiedamper D=15 H=6 D40SH M5x10 for 59012	10
62750	Acryltape Dubbelzijdig 25mm L60mm for 59012	3	35215	Capnut High M5 D1587 A2 for 59012	7	AI892	Acryltape Dubbelzijdig 25mm, L=20mm for 59012	11
65761	Clamping Spring Silicone Holder for 59012	4	35214	Castle Washer M5 for 59012	8			

Hinge

Item No.	Description	Position	Item No.	Description	Position	Item No.	Description	Position
AI893	Scharmierdeel T3 for 59012	1	AI916	Borgplaat Scharmierdeel for 59012	3	15757	Gas cylinder 250N with Dynamical Enddamping for 59012	5
35093	Guide Bearing 6x9x6 for 59012	2	AI854	Spacer 6.2x10x7.5 for 59012	4			

Parts Breakdown

Model VP-NL-3008-SN 59012

Air Valve

Item No.	Description	Position	Item No.	Description	Position	Item No.	Description	Position
AI896	Knie M5 4mm for 59012	1	AI900	M5x20 Hexagon Socket Set Screw DIN 916 for 59012	7	AI904	Blindplaat Combi-Ventiel for 59012	13
AI897	Persluchtslang 4x2 for 59012	2	AI917	M8 Crinkle Washer DIN 137 for 59012	8	AI905	M3x10 Slotted Cheese Head Screw DIN 84 for 59012	14
65748	Slangpilaar G1-2x19mm BU for 59012	3	AI918	6mm Adapter Ventielenblok for 59012	9	AI666	3-2 Armature Met 8mm Seal for 59012	15
AI898	Basisblok Combinatie Ventiel Model-I for 59012	4	AI919	Klemplaat Ventiel Armatuur for 59012	10	AH174	Coil 24VAC 50/60Hz 8.5VA for 59012	23
AI858	Adapter Valve 2.5mm for 59012	5	AI859	O-Ring 12x2mm for 59012	11			
AI899	M3x25 Countersunk Screw DIN 963 for 59012	6	35402	Square Hose Coupling 1/8x4 Ext. for 59012	12			

Transformer

Item No.	Description	Position	Item No.	Description	Position	Item No.	Description	Position
35319	Rail JMV35SL 9-Hole 220mm for 59012	1	65708	Sluitplatt Zap ZDU 6-2 for 59012	5	35307	Zekering Keram.5x20 2.5A Traag for 59012	9
35305	End Fent for 59012	2	35318	Wireclamp 6-2/2 AN for 59012	6	35323	Endplate Wireconnector for 59012	10
AI868	Mas AB100-K09KJ400 MS4P 24V 50/60Hz for 59012	3	35306	Fuse Clamp 2.5-2/ZSI for 59012	7	35315	Double Clamp 2.5-2 for 59012	11
15772	Contactur 24VAC for 59012	4	15818	Fuse 5x20 4A Slow for 59012	8			

Control Panel

Item No.	Description	Position	Item No.	Description	Position	Item No.	Description	Position
65753	Cap Wide Holder 04-Control for 59012	3	65755	Grommet 16mm (283 1600 599 99) for 59012	5	65740	Cap Small Holder 04-Control for 59012	7
65754	Cover Protection 04-Control for 59012	4	65756	Grommet 20mm (283 1600 599 99) for 59012	6	AI920	Houder Groot - PCB-HV Sensor for 59012	9